

Pentafill® A25

Automatic machine for filling and sealing
single-dose plastic containers



Lameplast

A TEKNI-PLEX BUSINESS

Automatic machine for filling and
sealing single-dose plastic containers
in a sterile or non-sterile environment.



Overview

The Pentafill A25 automatic machine provides 25 cycles per minute production speed in a compact footprint for filling and sealing your plastic containers in 5-vial strips.

- Automatic loading
- Compact machine; suitable for small rooms
- Easy-to-use machine with quick changeover capability and easy maintenance
- Maximum flexibility and versatility enabling you to fill different plastic containers and capacities
- Suitable for pharmaceutical products, diagnostics, veterinary, cosmetics, nutritional supplements and other products in liquid, gel or cream form
- Different filling systems available to fill different products viscosities
- Pentafill A25 supported formats:
0.33 – 0.6 – 1 – 2 – 3 – 5 – 10 ml

For additional information, please visit:
www.lameplast.it



TEKNIPLEX®
Global strength. Superior solutions.

Pentafill® A25

Automatic machines for filling and sealing
single-dose plastic containers

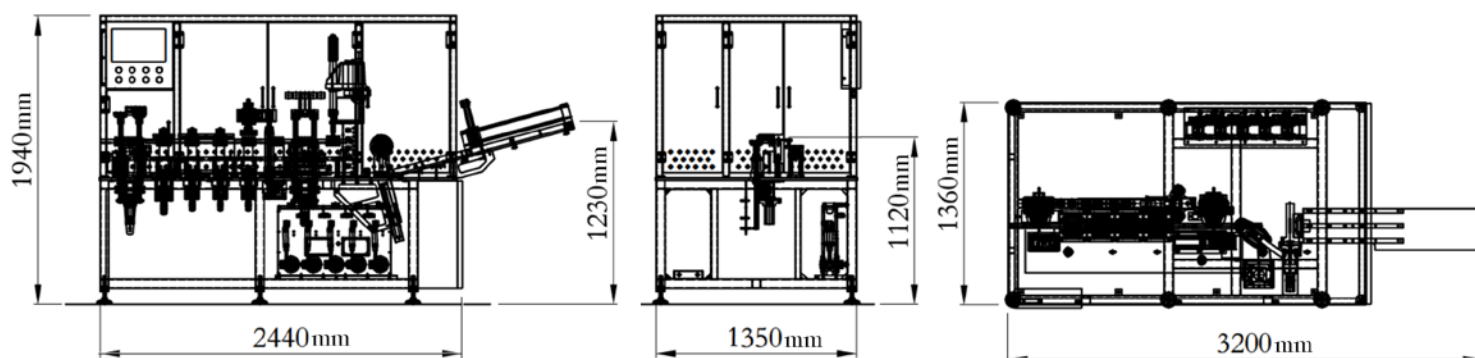


Lameplast

A TEKNI-PLEX BUSINESS

Pentafill A25 Technical Data

A25	
Capacity	Up to 25 strips/min Up to 125 vials/min
Voltage	380V 3Ph - 50/60 Hz
Power	8 Kw
Compressed air consumption (SCFM)	600 L/min
Required pressure	> 6 bar
Chiller: water consumption	2 - 3 L/min
Chiller: MIN pressure	2 bar
Chiller: water temperature	14/16 °C
Weight (kg)	1115
Dimensions LxWxH (mm)	3200 x 1360 x 1940



Please contact us to discuss how we can discuss your filling and sealing equipment needs:
lameplast@tekni-plex.com.

Pentafill® is a registered trademark of Lameplast S.r.l., a Tekni-Plex business

DISCLAIMER: Actual machine dimensions may vary based on optional equipment. This machine is protected by domestic and foreign patents. The information set forth herein is subject to change without notice and should not be used as a substitute for your own independent investigation and business judgment. No intellectual property rights are conveyed hereby. TEKNI-PLEX DISCLAIMS ALL WARRANTIES, EXPRESS OR IMPLIED, INCLUDING, BUT NOT LIMITED TO, WARRANTIES OF MERCHANTABILITY AND FITNESS FOR ANY PARTICULAR PURPOSE.

REV 11-2020

TEKNI-PLEX
Global strength. Superior solutions.