

Pentafill® A

Automatic machines for filling and sealing
single-dose plastic containers



Lameplast

A TEKNI-PLEX BUSINESS

Automatic machines for filling and
sealing single-dose plastic containers
at different production speeds.



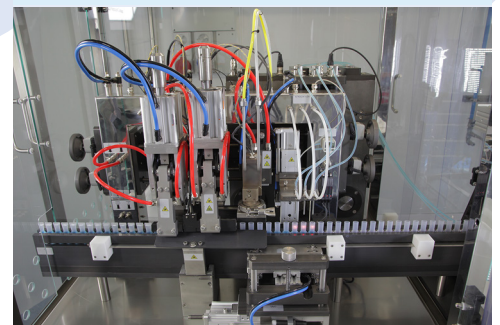
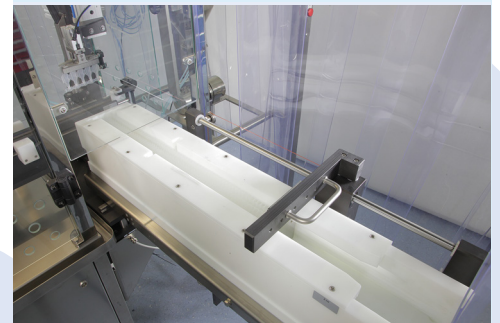
Overview

The Pentafill A automatic machines are available in five models: the A5, A10, A15, A25 or A50 providing different cycles per minute.

- Automatic loading
- Compact machine; suitable for small rooms
- Easy-to-use machine with quick changeover capability and easy maintenance
- Maximum flexibility and versatility enabling you to fill different plastic containers and capacities
- Suitable for pharmaceutical products, diagnostics, veterinary, cosmetics, nutritional supplements and other products in liquid, gel or cream form
- Different filling systems available to fill different products viscosities
- Pentafill A5 – A10 – A15 supported formats:
0.33 – 0.6 – 1 – 2 – 3 – 5 – 10 ml

For additional information, please visit:

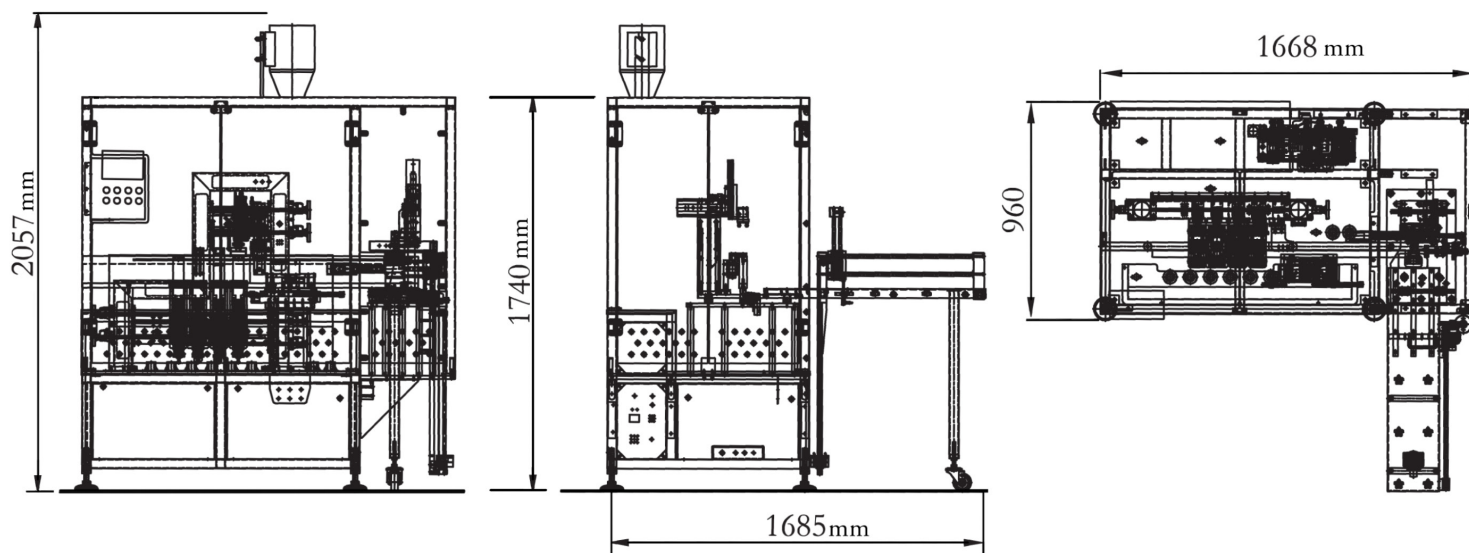
www.lameplast.it



TEKNIPLEX®
Global strength. Superior solutions.

Pentafill A5 – 10 - 15 Technical Data

	A5	A10	A15
Capacity	Up to 5 strips/min Up to 25 vials/min	Up to 10 strips/min Up to 50 vials/min	Up to 15 strips/min Up to 75 vials/min
Voltage	220V - 50/60 Hz	220V - 50/60 Hz	220V - 50/60 Hz
Power	3 Kw	3 Kw	3 Kw
Compressed air consumption (SCFM)	450 L/min	450 L/min	450 L/min
Required pressure	> 6 bar	> 6 bar	> 6 bar
Chiller: water consumption	2-3 L/min	2-3 L/min	2-3 L/min
Chiller: MIN pressure	2 bar	2 bar	2 bar
Chiller: water temperature	14/16 °C	14/16 °C	14/16 °C
Weight (kg)	520	540	560
Dimensions LxWxH (mm)	1668 x 1685 x 1740	1668 x 1685 x 1740	1668 x 1685 x 1740



Please contact us to discuss how we can discuss your filling and sealing equipment needs:
lameplast@tekni-plex.com.

Pentafill® is a registered trademark of Lameplast S.r.l, a Tekni-Plex business

DISCLAIMER: Actual machine dimensions may vary based on optional equipment. This machine is protected by domestic and foreign patents. The information set forth herein is subject to change without notice and should not be used as a substitute for your own independent investigation and business judgment. No intellectual property rights are conveyed hereby. TEKNI-PLEX DISCLAIMS ALL WARRANTIES, EXPRESS OR IMPLIED, INCLUDING, BUT NOT LIMITED TO, WARRANTIES OF MERCHANTABILITY AND FITNESS FOR ANY PARTICULAR PURPOSE.