

# Pentafill® L+Fill

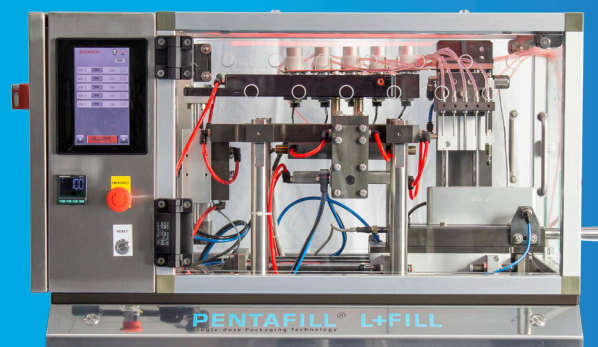
Bench-top machine for filling and sealing single-dose plastic containers



Lameplast

A TEKNI-PLEX BUSINESS

Bench-top machine for lab research and small quantity start-up production that meets the same industrial standards as higher-capacity Pentafill models.



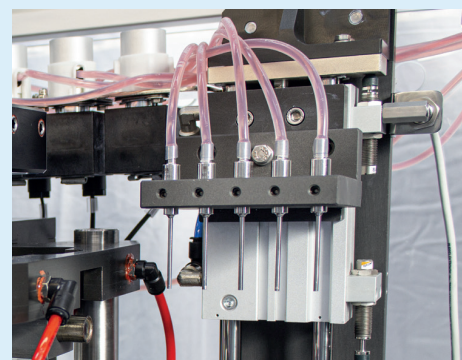
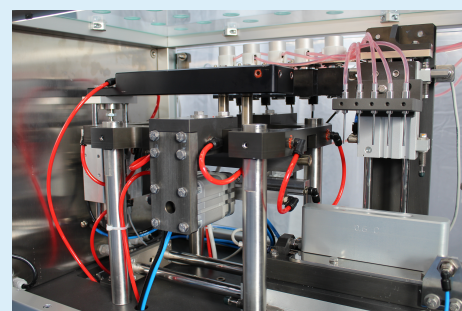
## Overview

Whether you are looking to complete laboratory studies or produce small start-up quantities of single-dose plastic vials, the Pentafill L+ Fill allows you to mimic the results of industrial production via a compact, bench-sized machine.

- Machine includes a heating head, cold-molding pliers and a sealer
- Strip holder requires manual movement
- Interchangeable holders for different containers capacities
- Simple external controls
- Pentafill supported formats: 0.33 – 0.6 – 1 – 2 – 3 – 5 – 10 ml

For additional information, please visit:

[www.lameplast.it](http://www.lameplast.it)



# Pentafill® L+Fill

Bench-top machine for filling and sealing single-dose plastic containers

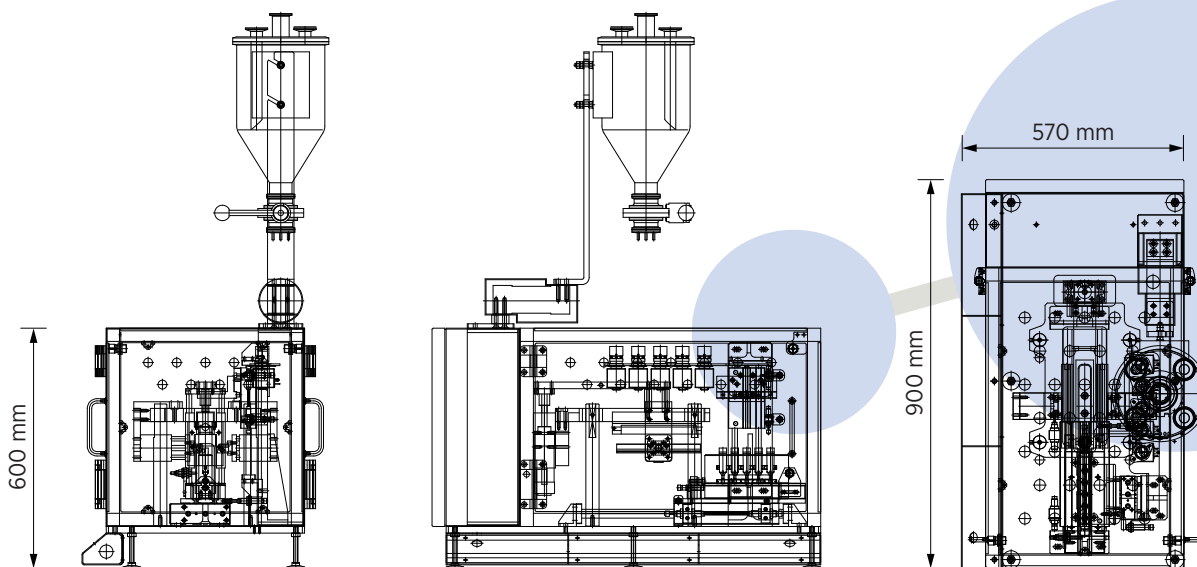


Lameplast

A TEKNI-PLEX BUSINESS

## Pentafill L+Fill Technical Data

L+Fill	
Capacity	Up to 3 strips per minute
Voltage	220V - 50 Hz
Power consumption	2.5 Kw
Compressed air consumption	80 L/min
Chiller, water consumption	1,5 L/min
Chiller: MIN pressure	2 bar
Chiller: water temperature	14/16 °C
Required pressure	> 6 bar
Weight (kg)	80
Dimensions LXWXH(mm)	900 x 570 x 600



Please contact us to discuss how we can discuss your filling and sealing equipment needs:  
[lameplast@tekni-plex.com](mailto:lameplast@tekni-plex.com).

Pentafill® is a registered trademark of Lameplast S.r.l, a Tekni-Plex business

DISCLAIMER: Actual machine dimensions may vary based on optional equipment. This machine is protected by domestic and foreign patents. The information set forth herein is subject to change without notice and should not be used as a substitute for your own independent investigation and business judgment. No intellectual property rights are conveyed hereby. TEKNI-PLEX DISCLAIMS ALL WARRANTIES, EXPRESS OR IMPLIED, INCLUDING, BUT NOT LIMITED TO, WARRANTIES OF MERCHANTABILITY AND FITNESS FOR ANY PARTICULAR PURPOSE.

REV 11-2020

**TEKNIPLEX**  
Global strength. Superior solutions.